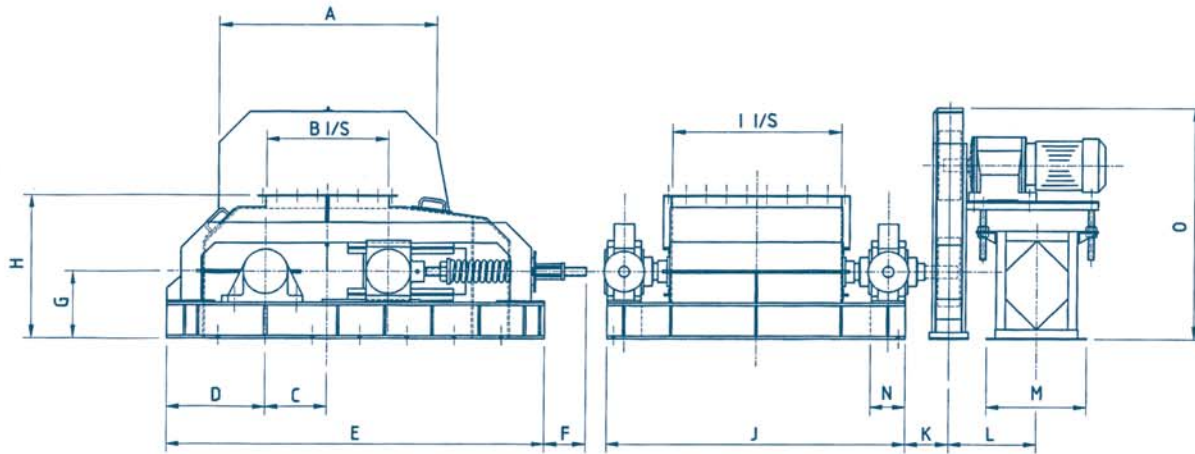


Shumar Crushers

Technical Data



size	A	B	C	D	E	F	G	H	I	J	K	L	M	N	O	Mass (kg)	Motors
24 ERB																	
30 x 24 ERB-S	1370	500	350	674	2467	100-359	465	1028	632	1447	276	450	540	147	1427	5600	2x11kW
30 x 24 ERB-P	1370	500	350	674	2467	100-359	465	1028	632	1447	276	450	540	147	1427	5300	2x11kW
36 x 24 ERB-S	1370	500	410	674	2700	100-359	465	1100	632	1447	276	570	740	147	1460	6950	2x15kW
36 RB																	
30 x 36 RB-S	1370	600	355	730	2799	176-304	497	1062	944	1909	271	570	740	258	1500	9500	2x15kW
30 x 36 RB-P	1370	600	355	730	2799	304	497	1062	944	1909	271	570	740	258	1570	8000	2x15kW
36 x 36 RB-S	1610	600	465	815	2919	294	497	1150	944	1909	271	570	740	258	1530	10000	2x22kW
36 x 36 RB-P	1610	750	430	730	2799	394	497	1062	944	1909	271	570	740	258	1530	10050	2x22kW
48 RB																	
30 x 48 RB-S	1370	600	355	730	2799	176-304	497	1062	1250	2214	322	570	740	258	1530	11000	2x22kW
36 x 48 RB-S	1626	600	425	815	2919	294	497	1150	1250	2214	322	650	740	258	1680	11750	2x30kW
36 x 48 RB-P	1626	900	455	730	2799	355	497	1062	1250	2214	322	650	740	258	1680	11750	2x30kW
60 RB																	
30 x 60 RB-S	1626	600	375	730	2799	176-347	497	1062	1556	2521	321.0	650	740	258	1680	12550	2x30kW
36 x 60 RB-S	1660	600	420	830	3240	363	570	1230	1530	2512	325	650	740	250	1730	15600	2x37kW
36 x 60 RB-P	1720	1000	475	830	3240	363	570	1230	1530	2512	325	650	740	250	1730	16000	2x37kW
48 KRB																	
36 x 48 KRB-S	1660	600	465	950	3640	210-542	660	1300	1250	2515	400	650	740	300	1820	17800	2x37kW
60 KRB																	
36 x 60 KRB-S	1720	600	460	850	3640	210-542	660	1330	1540	2700	400	650	740	300	1820	20350	2x37kW
36 x 60 KRB-P	1720	1200	460	950	3640	542	660	1430	1540	2700	400	650	740	300	1820	18250	2x37kW
72 KRB																	
30 x 72 KRB-S	1720	600	460	850	3640	542	760	1430	1840	3000	400	800	960	300	1930	21000	2x45kW
36 x 72 KRB-P	1850	1200	530	850	3640	542	760	1430	1840	3000	400	800	960	300	1930	20500	2x45kW
48 x 72 KRB-P	2500	1500	665	950	4300	514	760	1545	1840	3000	400	985	1160	300	2230	27000	2x75kW
84 KRB																	
36x84 KRB - S	1720	600	460	850	3640	250-542	760	1430	2132	3300	400	985	1160	300	1980	26000	2x55kW
54x84 KRB - P	2600	1800	755	1200	4600	514	760	1660	2140	3300	400	985	1160	300	2230	32000	2x90kW
70x84 KRB - P	3820	1840	1000	1400	5800	400	950	2100	2140	3500	400	1100	1270	400	2540	52000	2x110kW
98 KRB																	
36x98 KRB - S	1900	600	450	950	3700	200-450	760	1558	2532	3700	400	985	1160	300	2030	31500	2x75kW
42x98 KRB-P/S	2090	1300	560	950	4300	4450	760	1558	2532	3700	400	985	1160	300	2030	32100	2x90kW

* The motor sizes can vary with different crusher duties and material to be crushed.
Please use the above data as a guide only. Contact Minco Tech for your specific drawing with up to date dimensions.

CRUSHER CODING:	48 x 72 KRB - P	CRUSHER TYPE	ERB	=	light duty
Nominal roll diameter (inch):	48		RB	=	medium duty
Nominal roll length (inch):	72		KRB	=	heavy duty
			P	=	primary crusher
			S	=	secondary crusher

